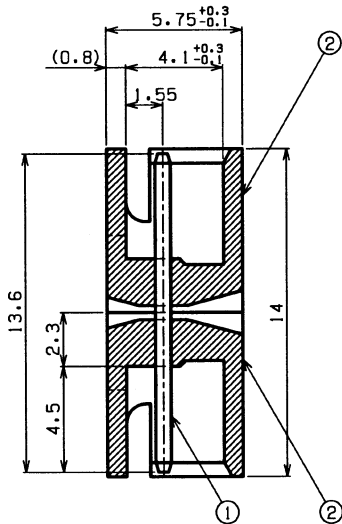
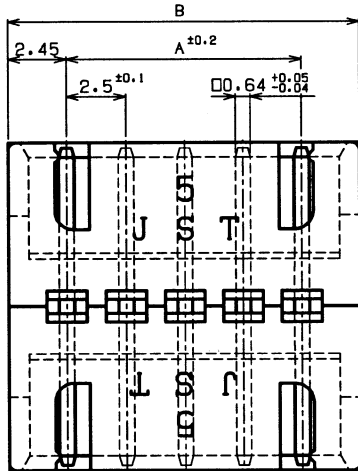
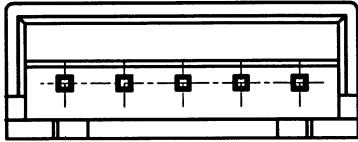


1 2 3 4 5 6 7 8

A
B
C
D
E
F



REV	DESCRIPTION	DATE	DESIGNED
△1	Circuit No. is added.	OCT.27.1997	Y.KANDA
△2	Drawing format change.	DEC.24.1999	M.HIRAMOTO
△3	Circuit No. is added.	APR.18.2000	T.TERASHIMA

NOTE
 1. Unless otherwise specified, tolerances are ±0.3.
 2. The gap of joint part shall be 0.3 MAX.

	Part No.	A	B
△1	B2B-XH-TW	2.5	7.4
	B3B-XH-TW	5.0	9.9
	B4B-XH-TW	7.5	12.4
	B5B-XH-TW	10.0	14.9
	B6B-XH-TW	12.5	17.4
△1	B7B-XH-TW	15.0	19.9
	B8B-XH-TW	17.5	22.4
△3	B11B-XH-TW	25.0	29.9
△1	B12B-XH-TW	27.5	32.4



2	WAFER	66NYLON		UL94V-0
1	POST	BRASS	COPPER-UNDERPLATED TIN/LEAD ALLOY-PLATED	
No.	PART NAME	MATERIAL	SURFACE FINISH	REMARKS
SIZE	UNIT	SCALE	PROJECTION	DATE
A3	METRIC	5:1		FEB. 1.1991
APPROVED	CHECKED	DESIGNED	DRAWN	CUSTOMER
T.N	S.S	T.T	M i T	SERIES NAME XH CONNECTOR
				PART No. B () B-XH-TW
JST J.S.T.MFG.CO.,LTD				DRAWING No. KRD-12692-2
				R3

THIS DRAWING CONTAINS INFORMATION THAT IS PROPRIETARY TO J.S.T. AND SHOULD NOT BE USED WITHOUT WRITTEN PERMISSION.

EC4109-2